

**ORDER FORM**  
**Zitzi Delfi Pro**

EDITION 5 - 111012

<input type="checkbox"/> Order	<input type="checkbox"/> Offer	<input type="checkbox"/> 900001 Traveling time Hours/dist. _____
<input type="checkbox"/> Custom made	<input type="checkbox"/> Proforma	
<input type="checkbox"/> Already delivered	_____ Days	<input type="checkbox"/> 27599 Try-out time Hours. _____

This is Delfi Pro Standard:

Complete chair with adjustable seating part  
(leg length difference, abduction, adduction)

- Flex in backrest
- Hip belt
- Prepared for mounting on a frame
- Color: Plastic silver and grey fabric

This is how you order Zitzi Delfi PRO! All parts are compatible with each other except for the tables.

- |                                 |                                       |
|---------------------------------|---------------------------------------|
| Art. nr                         |                                       |
| <input type="checkbox"/> 285001 | Zitzi Delfi Pro size 1 (without back) |
| <input type="checkbox"/> 285002 | Zitzi Delfi Pro size 2 (without back) |
| <input type="checkbox"/> 285003 | Zitzi Delfi Pro size 3 (without back) |




- |                                 |  |
|---------------------------------|--|
| Art. nr                         |  |
| <input type="checkbox"/> 285021 | Lateral support - Back size 1 (width 17-26 cm / depth 12,5 cm) |
| <input type="checkbox"/> 285022 | Lateral support - Back size 2 (width 19-28 cm / depth 15 cm)   |
| <input type="checkbox"/> 285023 | Lateral support - Back size 3 (width 22-31 cm / depth 17,5 cm) |

**Chose a backrest!**

- |                                 |                                       |
|---------------------------------|---------------------------------------|
| <input type="checkbox"/> 285011 | Backrest cpl. size 1 (Height 34 cm)   |
| <input type="checkbox"/> 285012 | Backrest cpl. size 2 (Height 38,5 cm) |
| <input type="checkbox"/> 285013 | Backrest cpl. size 3 (Height 45 cm)   |

- |                                 |   |
|---------------------------------|---|
| <input type="checkbox"/> 285031 | Foldable lateral support - Back size 1 (width 17-26 cm / depth 12,5 cm) |
| <input type="checkbox"/> 285032 | Foldable lateral support - Back size 2 (width 19-28 cm / depth 15 cm)   |
| <input type="checkbox"/> 285033 | Foldable lateral support - Back size 3 (width 22-31 cm / depth 17,5 cm) |

**Standard lining colors\*** (seat- back part- and headrest)

- |                                 |            |   |
|---------------------------------|------------|---|
| <input type="checkbox"/> 285040 | Grey (std) |   |
| <input type="checkbox"/> 285041 | Red        |  |
| <input type="checkbox"/> 285042 | Blue       |  |

**Alcantara lining colors\*\*** (seat and back part)

- |                                 |       |  |
|---------------------------------|-------|--|
| <input type="checkbox"/> 285045 | Black |   |
| <input type="checkbox"/> 285046 | Blue  |  |

*Easy to wipe of  
and extremely durable!*

\* The lateral support and leg part fabric are always black

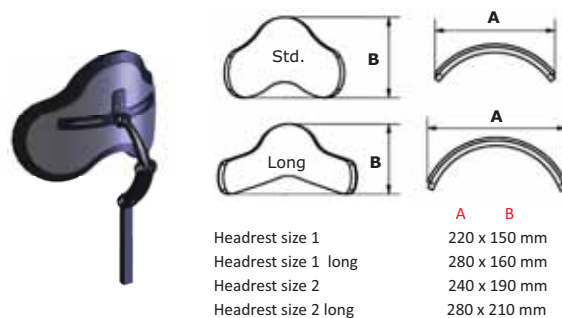
\*\* The headrest cover is always in black fabric no matter choice of lining

The articles mentioned below are accessories: cpl. = incl. mounting hardware

- |                                 |   |
|---------------------------------|---|
| Art. nr                         |   |
| <input type="checkbox"/> 285500 | Headrest cpl. size 1 Grey                     |
| <input type="checkbox"/> 285501 | Headrest cpl. size 1 Long                     |
| <input type="checkbox"/> 285502 | Headrest cpl. size 2 Grey                     |
| <input type="checkbox"/> 285503 | Headrest cpl. size 2 Long, Grey               |
| <input type="checkbox"/> 285505 | Headrest cpl. size 1 Blue                     |
| <input type="checkbox"/> 285506 | Headrest cpl. size 1 Long, Blue               |
| <input type="checkbox"/> 285507 | Headrest cpl. size 2 Blue                     |
| <input type="checkbox"/> 285508 | Headrest cpl. size 2 Long, Blue               |
| <input type="checkbox"/> 285510 | Headrest cpl. size 1 Red                      |
| <input type="checkbox"/> 285511 | Headrest cpl. size 1 Long, Red                |
| <input type="checkbox"/> 285512 | Headrest cpl. size 2 Red                      |
| <input type="checkbox"/> 285513 | Headrest cpl. size 2 Long, Red                |
| <input type="checkbox"/> 285515 | Headrest cpl. size 1 Black for Alcantara      |
| <input type="checkbox"/> 285516 | Headrest cpl. size 1 Long Black for Alcantara |
| <input type="checkbox"/> 285517 | Headrest cpl. size 2 Black for Alcantara      |
| <input type="checkbox"/> 285518 | Headrest cpl. size 2 Long Black for Alcantara |
| <input type="checkbox"/> 152108 | Pro Mini stl. S, cpl.                         |
| <input type="checkbox"/> 152109 | Pro Mini stl. M, cpl.                         |
| <input type="checkbox"/> 152104 | Pro Junior, cpl.                              |
| <input type="checkbox"/> 152105 | Pro Single lower support pad, cpl.            |

- |                                 |   |
|---------------------------------|---|
| Art. nr                         |   |
| <input type="checkbox"/> 152106 | Pro Plush 10", cpl.                                 |
| <input type="checkbox"/> 152107 | Pro Plush 14", cpl.                                 |
| <input type="checkbox"/> 152110 | Pro Plush, adjustable 6-14" LOW cpl.                |
| <input type="checkbox"/> 152111 | Pro Plush, adjustable 8-18" STD cpl.                |
| <input type="checkbox"/> 77102  | Active forehead strap, Junior, Pro Serie            |
| <input type="checkbox"/> 77105  | Mounting bracket, Active forehead strap             |
| <input type="checkbox"/> 152212 | Side-way adjustable headrest bracket                |
| <input type="checkbox"/> 152209 | Headrest bracket Stealth I2I - Zitzi Delfi / Sharky |

The head rests can be combined, no matter the size of the chair.  
Chose by size and forms. Will be delivered complete, and replace std.  
head rest bracket.



Every Pro head rest will be delivered complete incl. bracket  
(77105 not necessary for 152104/152105)

Attention: All harnesses are delivered without mounting brackets. Add 283038 or 152238.

- Art. nr
- 285150 Chest belt size S incl. mounting bracket
  - 285151 Chest belt Soft size S incl. mounting bracket
  - 285058 Hip belt Soft size 2-3, DWSR (replace std.)
  - 152238 Upper mounting bracket, long
  - 283038 Upper mounting bracket, short
  - Lower mounting bracket (follows the chair, standard)
  - 285140 Lower mounting bracket (Bottom profile)

For mounting of chest belt. Fits Delfi Pro size 1, 2 & 3

For mounting of chest belt. Fits Delfi Pro size 1

Gives an "higher move". Fits good for H-sele.

Gives a "lower move". Fits good for Sternum support.

- | Pro Soft                        | Exclusive                     | Soft black                     |                              |
|---------------------------------|-------------------------------|--------------------------------|------------------------------|
| <input type="checkbox"/> 374001 | <input type="checkbox"/> 3751 | <input type="checkbox"/> 37511 | Sternum support size X-Small |
| <input type="checkbox"/> 374002 | <input type="checkbox"/> 3752 | <input type="checkbox"/> 37521 | Sternum support size Small   |
| <input type="checkbox"/> 374003 | <input type="checkbox"/> 3753 | <input type="checkbox"/> 37531 | Sternum support size Medium  |
| <input type="checkbox"/> 374004 | <input type="checkbox"/> 3754 | <input type="checkbox"/> 37541 | Sternum support size Large   |
| -                               | <input type="checkbox"/> 3756 | <input type="checkbox"/> 37561 | Sternum vest size X-Small    |
| -                               | <input type="checkbox"/> 3757 | <input type="checkbox"/> 37571 | Sternum vest size Small      |
| -                               | <input type="checkbox"/> 3758 | <input type="checkbox"/> 37581 | Sternum vest size Medium     |
| -                               | <input type="checkbox"/> 3759 | <input type="checkbox"/> 37591 | Sternum vest size Large      |
| -                               | -                             | -                              | X-strap size Large           |
| <input type="checkbox"/> 374012 | <input type="checkbox"/> 3762 | <input type="checkbox"/> 37621 | X-strap size Small           |
| <input type="checkbox"/> 374015 | <input type="checkbox"/> 3783 | <input type="checkbox"/> 37651 | H-strap size X-small         |
| <input type="checkbox"/> 374016 | <input type="checkbox"/> 3784 | <input type="checkbox"/> 37652 | H-strap size Small           |
| <input type="checkbox"/> 374017 | <input type="checkbox"/> 3785 | <input type="checkbox"/> 37653 | H-strap size Medium          |
| <input type="checkbox"/> 374018 | <input type="checkbox"/> 3786 | <input type="checkbox"/> 37654 | H-strap size Large           |



Sternum support



Sternum vest



X-strap



H-Strap

- |                                 |                                       |                                 |  |
|---------------------------------|---------------------------------------|---------------------------------|--|
| <input type="checkbox"/> 374068 | Anti-rotational belt size L, Car lock | <input type="checkbox"/> 374066 | Anti-rotational belt size S, Chromeline  |
| <input type="checkbox"/> 374064 | Anti-rotational belt size L, DWSR40   | <input type="checkbox"/> 374061 | Anti-rotational belt size S, DWSR25      |
| <input type="checkbox"/> 374067 | Anti-rotational belt size M, Car lock | <input type="checkbox"/> 374065 | Anti-rotational belt size XS, Chromeline |
| <input type="checkbox"/> 374063 | Anti-rotational belt size M, DWSR40   | <input type="checkbox"/> 374060 | Anti-rotational belt size XS, DWSR25     |



Anti-rotational belt

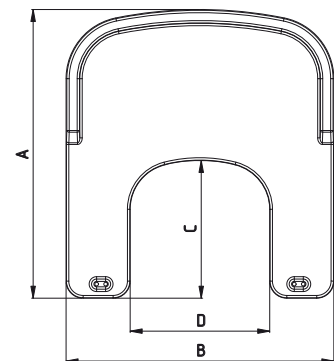
- Art. nr
- 285141 Table, transparent, size 1
  - 285142 Table, transparent, size 2
  - 285143 Table, transparent, size 3

Chose table after lateral width

Back size	Width with fabric:	Chose table:
Size 1	from 17-22 cm	Table size 1
Size 1	From 21-26 cm	Table size 2
Size 2	From 17-22 cm	Table size 1
Size 2	From 21-26 cm	Table size 2
Size 3	From 22-26 cm	Table size 2
Size 3	From 26-31 cm	Table size 3



Available in three different sizes.  
Chose table by lateral width



Measurements	A	B	C	D
Table size 1	475 x 440 mm	230 x 240 mm		
Table size 2	535 x 500 mm	260 x 290 mm		
Table size 3	535 x 510 mm	260 x 340 mm		

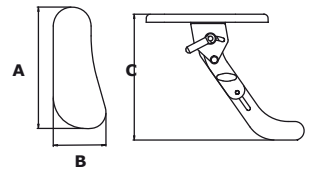
- Art. nr
- 285145 Cover, table, size 1, transparent
  - 285146 Cover, table, size 2, transparent
  - 285147 Cover, table, size 3, transparent

- Art. nr
- 285061 Armrest size 1 (pair)
  - 285062 Armrest size 2 (pair)
  - 285063 Armrest size 3 (pair)
  - 285065 Upper arm support size 1-2 (excl. armrest)
  - 285066 Upper arm support size 3 (excl. armrest)  
*(Should be mounted on the armrest.)*



Measurements: A x B  
 Size 1 180 x 65 mm  
 Size 2 195 x 75 mm  
 Size 3 230 x 90 mm

Measurements: C  
 Size 1 140-205 mm  
 Size 2 140-205 mm  
 Size 3 190-280 mm



*Will be delivered complete and in pairs.*

- 285068 Pelvis support size 1 incl. brackets (pair)
- 285069 Pelvis support size 2 incl. brackets (pair)

*Fits Delfi size 1*

*Fits Delfi size 2 & 3*

- 285071 Footrest size 1, cpl.
- 285072 Footrest size 2, cpl.
- 285073 Footrest size 3, cpl.
- 285036 Footrest divided size 1, cpl.
- 285037 Footrest divided size 2, cpl.
- 285038 Footrest divided size 3, cpl.
- 285075 Footrest adjustable size 1, cpl.
- 285076 Footrest adjustable size 2, cpl.
- 285077 Footrest adjustable size 3, cpl.
- 285079 Footrest adjustable divided size 1, cpl.
- 285080 Footrest adjustable divided size 2, cpl.
- 285081 Footrest adjustable divided size 3, cpl.
- 285083 Footrest turn-up size 1, cpl.
- 285084 Footrest turn-up size 2, cpl.
- 285085 Footrest turn-up size 3, cpl.
- 285087 Footrest adjustable turn-up size 1, cpl.
- 285088 Footrest adjustable turn-up size 2, cpl.
- 285089 Footrest adjustable turn-up size 3, cpl.

1

2

3

4

**\*\*** When seat depth is 17-22 cm, we recommend footrest size 0 (art. nr 285070)

*Footrest size 1 fits Delfi Pro size 1*

*Footrest size 2 fits Delfi Pro size 2*

*Footrest size 3 fits Delfi Pro size 3*

*Chose between different types of footrests.*

**Footrest:**

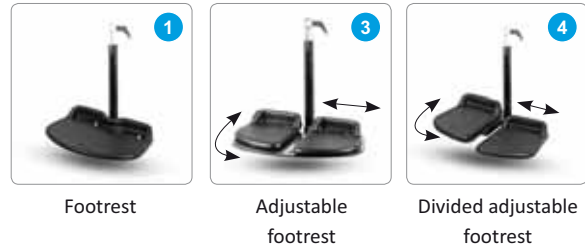
*Have a full sized foot plate*

**Footrest adjustable:**

*Have divided foot plates that easily can be adjusted*

**Footrest turn-up:**

*Have a full sized foot plate that easily be turned up*



Footrest

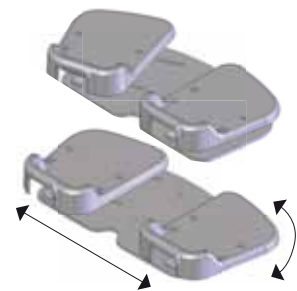
Adjustable footrest

Divided adjustable footrest

- 285091 Cushion, footrest size 1
- 285092 Cushion, footrest size 2
- 285093 Cushion, footrest size 3
- 285095 Cushion, footrest divided size 1
- 285096 Cushion, footrest divided size 2
- 285097 Cushion, footrest divided size 3



Divided footrest



- 281102 Flexible footrest adapter (replace std.)  
*Fits: Footrest adjustable, Footrest turn-up*

- 281107 Calf support size 0
- 281110 Calf support size 1
- 281120 Calf support size 2
- 281109 Cushion, Calf support size 0
- 281111 Cushion, Calf support size 1
- 281121 Cushion, Calf support size 2

*Fits Delfi PRO size 1*

*Fits Delfi PRO size 1-2*

*Fits Delfi PRO size 3*

*Fits artnr. 281107*

*Fits artnr. 281110*

*Fits artnr. 281120*



- 3771 Ankle holder size S
- 3772 Ankle holder size M
- 37711 Ankle holder size S Soft
- 37721 Ankle holder size M Soft
- 374020 Belt, footrest, velcro (pair)

*Chose between two materials, Exclusive or Soft.*

*Should be mounted on the footrest plate*

*Measurement around ankle size S = 140-170mm*

*Measurement around ankle size M = 170-200mm*

- Art. nr
- 285138 Heating package cpl.
  - 285377 Lining, seating part, size 1, black, incontinence
  - 285378 Lining, seating part, size 2, black, incontinence
  - 285379 Lining, seating part, size 3, black, incontinence

*Containing heating elements for the seat and back cushion.  
Including battery and charger.*

- 285156 Lumbar support wedge

*Measurement, WxD: 180\*120 mm and mount with velcro*

*Mount with velcro*

- 152170 Play bow incl. bracket
- 152172 Driving handle, Zitzi Delfi Pro / Sharky
- 385110 Sun cover incl. bracket

*To mount on  
the back of the  
seating system*



- 285171 Mounting system size 1 - Delfi Pro
- 285172 Mounting system size 2 - Delfi Pro
- 285173 Mounting system size 3 - Delfi Pro
- 285174 Mounting plate Etac/R82
- 285175 Mounting system Universal - Delfi Pro
- 152186 Adapter plate (Sharky)
- 285176 Adapter plate Universal - Zitzi Delfi Pro

*To mount a Zitzi Delfi Pro size 1 on Seabass & Flipper Pro*

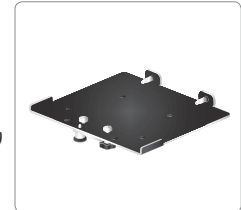
*To mount a Zitzi Delfi Pro size 2 on Seabass & Flipper Pro*

*To mount a Zitzi Delfi Pro size 3 on Seabass & Flipper Pro*

*To mount a Delfi Pro on an R82 frame*

*To mount a Zitzi Delfi Pro in another chassie (female & male)*

*To mount on several chassies*



- 99351 Termo bag without back, Zitzi Delfi 2 & 3
- 99330 Termo bag without back size X-Small
- 99331 Termo bag without back size Small
- 99332 Termo bag without back size Medium

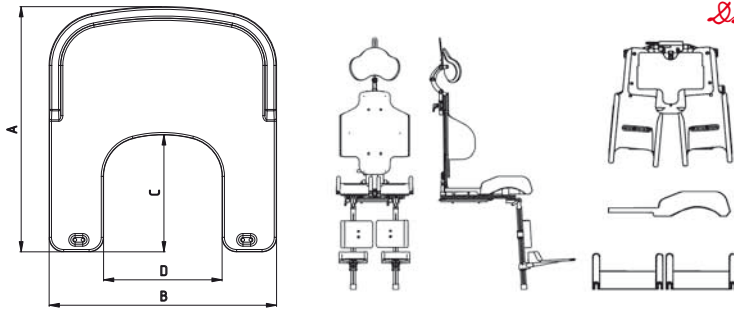
*Clothing for cold and rainy days!*

### Spare parts

- |  |  |  |
|--|--|--|
| <input type="checkbox"/> 152210 Headrest bracket cpl.                | <input type="checkbox"/> 285284 Armrest plate - Right size 1           | <input type="checkbox"/> 285301 Foot plate size 1                          |
| <input type="checkbox"/> 281104 Flexible footrest adapter (pair)     | <input type="checkbox"/> 285285 Armrest plate - Left size 1            | <input type="checkbox"/> 285302 Foot plate size 2                          |
| <input type="checkbox"/> 285055 Hip belt Soft (Delfi Pro size 1)     | <input type="checkbox"/> 285286 Armrest plate - Right size 2           | <input type="checkbox"/> 285303 Foot plate size 3                          |
| <input type="checkbox"/> 285056 Hip belt Soft (Delfi Pro size 2)     | <input type="checkbox"/> 285287 Armrest plate - Left size 2            | <input type="checkbox"/> 285305 Foot plate divided size 1                  |
| <input type="checkbox"/> 285057 Hip belt Soft (Delfi Pro size 3)     | <input type="checkbox"/> 285288 Armrest plate - Right size 3           | <input type="checkbox"/> 285306 Foot plate divided size 2                  |
| <input type="checkbox"/> 915036 Gas piston 185/27mm - 200N Flex      | <input type="checkbox"/> 285289 Armrest plate - Left size 3            | <input type="checkbox"/> 285307 Foot plate divided size 3                  |
| <input type="checkbox"/> 915037 Gas piston 205/27mm - 300N Flex      | <input type="checkbox"/> 285291 Cushion, armrest size 1                | <input type="checkbox"/> 285059 Hip belt Soft size 2-3, DWSR (order after) |
| <input type="checkbox"/> 915023 Gas piston 205/27mm - 500N Flex      | <input type="checkbox"/> 285292 Cushion, armrest size 2                |  |
| <input type="checkbox"/> 285299 T-wrench 4 mm - Zitzi Delfi Pro      | <input type="checkbox"/> 285293 Cushion, armrest size 3                |  |
| <input type="checkbox"/> 285410 Cushion seat part size 1, Grey       | <input type="checkbox"/> 285423 Cushion, back part size 1, Blue        | <input type="checkbox"/> 285436 Cushion, Alcantara seat part size 1, Black |
| <input type="checkbox"/> 285411 Cushion seat part size 2, Grey       | <input type="checkbox"/> 285424 Cushion, back part size 2, Blue        | <input type="checkbox"/> 285437 Cushion, Alcantara seat part size 2, Black |
| <input type="checkbox"/> 285412 Cushion seat part size 3, Grey       | <input type="checkbox"/> 285425 Cushion, back part size 3, Blue        | <input type="checkbox"/> 285438 Cushion, Alcantara seat part size 3, Black |
| <input type="checkbox"/> 285413 Cushion seat part size 1, Blue       | <input type="checkbox"/> 285426 Cushion, back part size 1, Red         | <input type="checkbox"/> 285439 Cushion, Alcantara seat part size 1, Blue  |
| <input type="checkbox"/> 285414 Cushion seat part size 2, Blue       | <input type="checkbox"/> 285427 Cushion, back part size 2, Red         | <input type="checkbox"/> 285440 Cushion, Alcantara seat part size 2, Blue  |
| <input type="checkbox"/> 285415 Cushion seat part size 3, Blue       | <input type="checkbox"/> 285428 Cushion, back part size 3, Red         | <input type="checkbox"/> 285441 Cushion, Alcantara seat part size 3, Blue  |
| <input type="checkbox"/> 285416 Cushion seat part size 1, Red        | <input type="checkbox"/> 285430 Cushion, lateral support size 1, Black | <input type="checkbox"/> 285442 Cushion, Alcantara back part size 1, Black |
| <input type="checkbox"/> 285417 Cushion seat part size 2, Red        | <input type="checkbox"/> 285431 Cushion, lateral support size 2, Black | <input type="checkbox"/> 285443 Cushion, Alcantara back part size 2, Black |
| <input type="checkbox"/> 285418 Cushion seat part size 3, Red        | <input type="checkbox"/> 285432 Cushion, lateral support size 3, Black | <input type="checkbox"/> 285444 Cushion, Alcantara back part size 3, Black |
| <input type="checkbox"/> 285420 Cushion, back part size 1, Grey      | <input type="checkbox"/> 285433 Cover, leg part size 1, Black          | <input type="checkbox"/> 285445 Cushion, Alcantara back part size 1, Blue  |
| <input type="checkbox"/> 285421 Cushion, back part size 2, Grey      | <input type="checkbox"/> 285434 Cover, leg part size 2, Black          | <input type="checkbox"/> 285446 Cushion, Alcantara back part size 2, Blue  |
| <input type="checkbox"/> 285422 Cushion, back part size 3, Grey      | <input type="checkbox"/> 285435 Cover, leg part size 3, Black          | <input type="checkbox"/> 285447 Cushion, Alcantara back part size 3, Blue  |
| <input type="checkbox"/> 285450 Cover, leg part + 4 cm size 1, Black | <input type="checkbox"/> 285451 Cover, leg part + 4 cm size 2, Black   | <input type="checkbox"/> 285452 Cover, leg part + 4 cm size 3, Black       |
| <input type="checkbox"/> 285485 Cushion, seat part RR size 1, Grey   | <input type="checkbox"/> 285488 Cushion, seat part T-foam size 1, Grey |  |
| <input type="checkbox"/> 285486 Cushion, seat part RR size 2, Grey   | <input type="checkbox"/> 285489 Cushion, seat part T-foam size 2, Grey |  |
| <input type="checkbox"/> 285487 Cushion, seat part RR size 3, Grey   | <input type="checkbox"/> 285490 Cushion, seat part T-foam size 3, Grey |  |

- 285491 Front parts, seat +4 cm inside w. black cushions size 1
- 285492 Front parts, seat +4 cm inside w. blue cushions size 1
- 285493 Front parts, seat +4 cm inside w. red cushions size 1
- 285494 Front parts, seat +4 cm inside w. black cushions size 2
- 285495 Front parts, seat +4 cm inside w. blue cushions size 2

- 285496 Front parts, seat +4 cm inside w. red cushions size 2
- 285497 Front parts, seat +4 cm inside w. black cushions size 3
- 285498 Front parts, seat +4 cm inside w. blue cushions size 3
- 285499 Front parts, seat +4 cm inside w. red cushions size 3



If it is one of the standard accessories that do not meet your requirements, we can of course make it! Fill in what it is to be custom made manufactured, and drawing on the sketches on the left. The more information & measurements you provide, the better!

**Spare parts continues**

- |   |   |   |
|---|---|---|
| <input type="checkbox"/> 285460 Cover, pelvis support size 1-2            | <input type="checkbox"/> 285469 Cover, headrest size 1, grey            | <input type="checkbox"/> 285478 Cover, Alcantara head. size 1 long, black |
| <input type="checkbox"/> 285461 Cover, pelvis support size 3              | <input type="checkbox"/> 285470 Cover, headrest size 1 long, grey       | <input type="checkbox"/> 285479 Cover, Alcantara headrest size 2, black   |
| <input type="checkbox"/> 285462 Cushion, foldable lat. sup. size 1, black | <input type="checkbox"/> 285471 Cover, headrest size 2, red             | <input type="checkbox"/> 285480 Cover, Alcantara head. size 2 long, black |
| <input type="checkbox"/> 285463 Cushion, foldable lat. sup. size 2, black | <input type="checkbox"/> 285472 Cover, headrest size 2 long, red        | <input type="checkbox"/> 285190 Headrest Delfi Pro - Special              |
| <input type="checkbox"/> 285464 Cushion, foldable lat. sup. size 3, black | <input type="checkbox"/> 285473 Cover, headrest size 1, blue            | <input type="checkbox"/> 285191 Table Delfi Pro - Special                 |
| <input type="checkbox"/> 285465 Cover, headrest size 1, grey              | <input type="checkbox"/> 285474 Cover, headrest size 1 long, blue       | <input type="checkbox"/> 285192 Table Delfi Pro - Special                 |
| <input type="checkbox"/> 285466 Cover, headrest size 1 long, grey         | <input type="checkbox"/> 285475 Cover, headrest size 2, blue            | <input type="checkbox"/> 285193 Pelvis support Delfi Pro - Special        |
| <input type="checkbox"/> 285467 Cover, headrest size 2, grey              | <input type="checkbox"/> 285476 Cover, headrest size 2 long, blue       | <input type="checkbox"/> 285194 Footrest Delfi Pro - Special              |
| <input type="checkbox"/> 285468 Cover, headrest size 2 long, grey         | <input type="checkbox"/> 285477 Cover, Alcantara headrest size 1, black | <input type="checkbox"/> 285195 Armrest plate Delfi Pro - Special         |

**Outgoing fabrics - Plush**

- |  |  |  |
|--|--|--|
| <input type="checkbox"/> 285101 Cushion, seat part size 1, black   | <input type="checkbox"/> 285113 Cushion, back part size 1, black | <input type="checkbox"/> 285125 Cushion, lateral support size 1, black |
| <input type="checkbox"/> 285102 Cushion, seat part size 2, black   | <input type="checkbox"/> 285114 Cushion, back part size 2, black | <input type="checkbox"/> 285126 Cushion, lateral support size 2, black |
| <input type="checkbox"/> 285103 Cushion, seat part size 3, black   | <input type="checkbox"/> 285115 Cushion, back part size 3, black | <input type="checkbox"/> 285127 Cushion, lateral support size 3, black |
| <input type="checkbox"/> 285105 Cushion, seat part size 1, blue    | <input type="checkbox"/> 285117 Cushion, back part size 1, blue  | <input type="checkbox"/> 285129 Cushion, lateral support size 1, blue  |
| <input type="checkbox"/> 285106 Cushion, seat part size 2, blue    | <input type="checkbox"/> 285118 Cushion, back part size 2, blue  | <input type="checkbox"/> 285130 Cushion, lateral support size 2, blue  |
| <input type="checkbox"/> 285107 Cushion, seat part size 3, blue    | <input type="checkbox"/> 285119 Cushion, back part size 3, blue  | <input type="checkbox"/> 285131 Cushion, lateral support size 3, blue  |
| <input type="checkbox"/> 285109 Cushion, seat part size 1, red     | <input type="checkbox"/> 285121 Cushion, back part size 1, red   | <input type="checkbox"/> 285133 Cushion, lateral support size 1, red   |
| <input type="checkbox"/> 285110 Cushion, seat part size 2, red     | <input type="checkbox"/> 285122 Cushion, back part size 2, red   | <input type="checkbox"/> 285134 Cushion, lateral support size 2, red   |
| <input type="checkbox"/> 285111 Cushion, seat part size 3, red     | <input type="checkbox"/> 285123 Cushion, back part size 3, red   | <input type="checkbox"/> 285135 Cushion, lateral support size 3, red   |
| <input type="checkbox"/> 285161 Cover, headrest size 1, black      | <input type="checkbox"/> 285165 Cover, headrest size 1, red      | <input type="checkbox"/> 285186 Cover, headrest size 1, blue           |
| <input type="checkbox"/> 285162 Cover, headrest size 1 long, black | <input type="checkbox"/> 285166 Cover, headrest size 1 long, red | <input type="checkbox"/> 285187 Cover, headrest size 1 long, blue      |
| <input type="checkbox"/> 285163 Cover, headrest size 2, black      | <input type="checkbox"/> 285167 Cover, headrest size 2, red      | <input type="checkbox"/> 285188 Cover, headrest size 2, blue           |
| <input type="checkbox"/> 285164 Cover, headrest size 2 long, black | <input type="checkbox"/> 285168 Cover, headrest size 2 long, red | <input type="checkbox"/> 285189 Cover, headrest size 2 long, blue      |

Customer / Billing address

---

Delivery address

---

Postal code

City

---

Responsible therapist

---