

16:1) Summary / Follow up

- Continue to regularly perform the follow-ups which is described in respective point.
- Regularly examine that all the screws are securely locked.
- Regularly examine the wear of straps and cushions.
- Regularly examine the wear of headrest and headrest cushions.
- If the straps or the cushions looks worn change to new ones.
- Do not place the child in the seat until you hear the "click" sound when you mount the seat on an underframe.
- Do not tilt the seat too much forward when the child is placed in the seat.

• **Above points should be performed at least every 6 months.**

16:2) Combinations

Zitzi Sharky a CE-marked product which can be combined with all of the accessories described in this manual. Zitzi Sharky fits with frames like Zitzi Flipper Pro, Seabass Pro, Mika, Flizzy, Galileo, Zitzi Flipper, Leonardo and Zitzi Wave. For other combinations, please contact Anatomic SITT AB.

16:3) Spare parts

Only spare parts delivered by Anatomic SITT AB may be used.

16:4) Marking

Zitzi Sharky with accessories described in this manual is a CE-marked product. A serial number is placed at the plastic plate inside the back cushion. This serial number should always be specified in correspondence regarding the product.

16:5) Warranty

1 year, manufacturing.

16:6) Measurement

Zitzi Sharky	size 1	size 2
User weight, approx.:	80 kg	115 kg
User length, approx.:	125- 160 cm	150- 185 cm
Seat width:	33- 40 cm	33- 40 cm
Seat depth:	36- 46 cm	44- 50 cm
Back width:	30,5- 34,5 cm	30,5- 34,5 cm
Back height, to arm axilla:	33- 50 cm	33- 50 cm
Front width:	35- 41 cm	43- 53 cm
Abduction:	10°	10°

Sticker placement!

MANUAL



The product is only intended for use as a seating system together with chassis produced by Anatomic SITT AB. If other uses are desired, please contact Anatomic SITT AB.



Zitzi Sharky

It is very important that all the persons that are near to the child read this manual.

The product is intended for users with seating problems and fits many different kinds of diagnoses.

Adaptation/fitting the Zitzi Sharky must be done by a medically qualified person.

If You need additional information, please contact Anatomic SITT AB

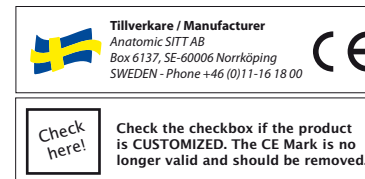


TABLE OF CONTENT

2:1	Tools	11:1	Mounting/adjustment, support series
2:2	Height adjustment of the back	12:1	Mounting/adjustment, armrest
2:3	Adjusting the seat	12:2	Mounting/adjustment, upper arm support
3:1	Adjusting the abduction	13:1	Mounting/adjustment, leg straps
3:2	Adjusting to coxite mode	13:2	Mounting/adjustment, headrest
4:1	Adjustable back	14:1	Mounting/adjustment, pro series
4:2	Lumbar support	14:2	Mounting on under frames
5:1	Width adjustment of the backrest	14:3	Adapter system
5:2	Angle adjustment of the backrest	15:1	Sun cover
5:3	Mounting/adjustment, hipbelt	15:2	Maintenance instructions
5:4	Heating package	15:3	Reconditioning
6:1	Mounting/adjustment, footrest	15:4	Disassembly/Recycling
7:1	Mounting/adjustment, footrest turn-up	16:1	Summary
8:1	Mounting/adjustment, flexible footrest	16:2	Combinations
8:1	Mounting/adjustment, ball joint adapter	16:3	Spare parts
9:1	Calf support	16:4	Marking
9:2	Mounting/adjustment, pelvis support	16:5	Warranty
10:1	Play bow	16:6	Measurement
10:2	Mounting, table		

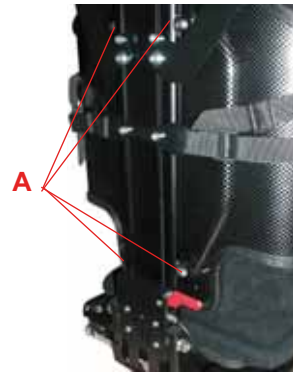
2:1) Tools

The tool you need for adjustments are placed in the top of the back profile.



2:2) Height adjustment of the back

- Loosen the four screws on (A) and adjust it.
- Lock the screws (A).



For safety - Always use the headrest

2:3) Adjusting the seat

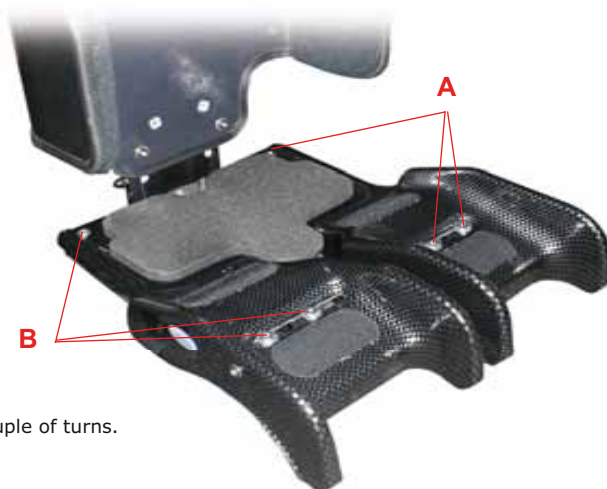
Seat depth, difference in leg length and abduction of the legs are easily adjusted. In order to reach the screws first remove the lining.

Seat depth, difference in leglength can be adjusted up to 5 cm in standard mode. The seat depth is approx. 40 cm on delivery.

To adjust the seat depth or seat width, loosen the six screws. pos. A & B.

Push the seat parts forward or backward. The seat parts can simply be adjusted by hand.

Tighten the screws (A) & (B).



Advice - Just loosen the screws a couple of turns.

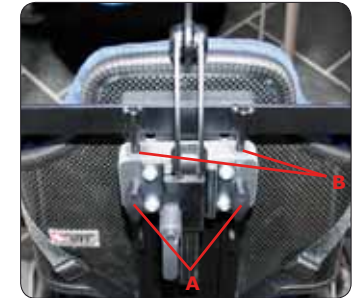
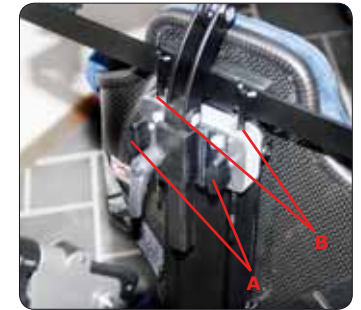
15:1) Sun cover

The sun roof needs to be mounted in the same bracket as the play bow. These can not be combined. To mount the bracket, watch page 10.

The headrest needs to be dismantled before you mount the sun roof. How to dismantle the headrest, watch page 13.

Mounting of the sun roof:

- Loosen the knob on both sides (A).
- Push the sun roof in the bracket (B).
- Tighten the knobs (A).



15:2) Maintenance instructions

Cushions and belt pads are washed at 60° cold wash and should not be dried in tumbler or drying cabinet. Plastic and metal parts can be wiped clean with a damp cloth. If plastic and metal parts are heavily soiled you may use a degreasing agent. Please think green and use a biodegradable degreasing agent. Perform maintenance when necessary. Check regularly.



NOTE! Important! The gas piston should be used regularly to maintain functionality. When the product is not used, the gas piston must be activated at least once every 6 months. Also, when storing the product, make sure that the piston rod is positioned pointing downwards. If not, the gas piston seal might break and the piston lose its function.



Important! Activate the gas piston regularly!

15:3) Reconditioning

Check all moving parts for wear and tear. Exchange if necessary.

NOTE! Important! Always check the function of the gas piston thoroughly. If you are insecure, please contact us by phone at +46 11 161800 or by e-mail at info@anatomicstt.com.

15:4) Disassembly/Recycling

A part that is used up should be disassembled and discarded. The parts should be separated by material. See below for information on the different materials in the Zitzi Sharky.

Metal = Seat base, back profile, footrest stay, armrest stay, headrest stay, etc.

Rigid plastic = Seating and back parts, table, footrest plate, design plate, etc.

Combustibles = Cushions, hip belt, harnesses, etc.

14:1) Mounting/adjustment, pro serie

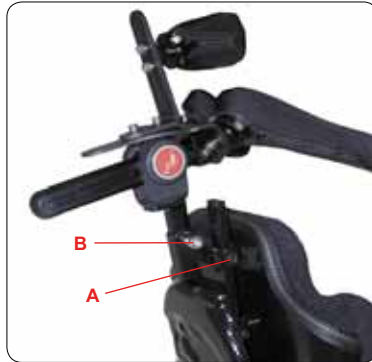
Mounting:

- Mount the holder on the profile.
- Attach headrest on the headrestholder.
- Lock the screws, 4 pcs. (A)

For easy removal of the headrest loosen the screw (B) and pull the headrest straight up.

Adjustment:

See separate instructions, SOFT Pro Serie.
As an accessory a forehead strap can be mounted.
(For adjustment of forehead strap, see separate instructions).



14:2) Mounting on underframes

- Push your Sharky into the attachment system.
- Tighten the screws (4 pcs on each side).

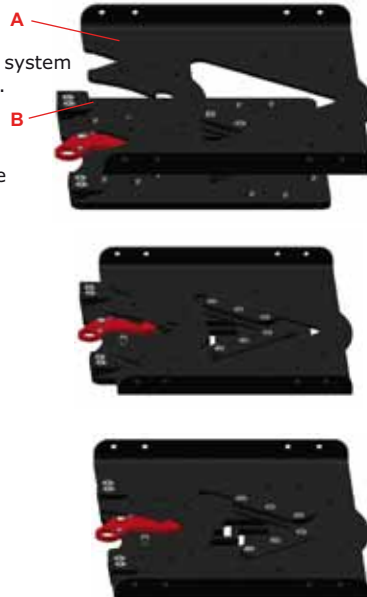
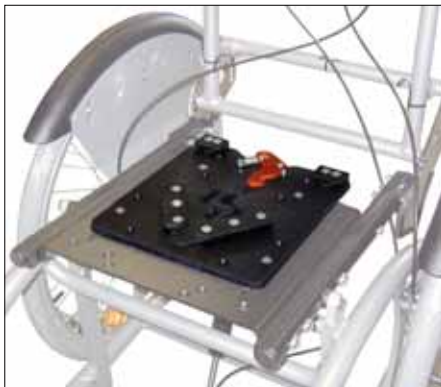
IMPORTANT:
Always fix the screws afterwards!



14:3) Adaptersystem

The adapter system contains an adapter plate, an attachment system and should be mounted on the adapter plate as shown below.

- Mount the attachment system at the seating system.
- Push your Sharky straight forward the adapter system.
- You should hear a "click" noise when the seating system are correctly connected.

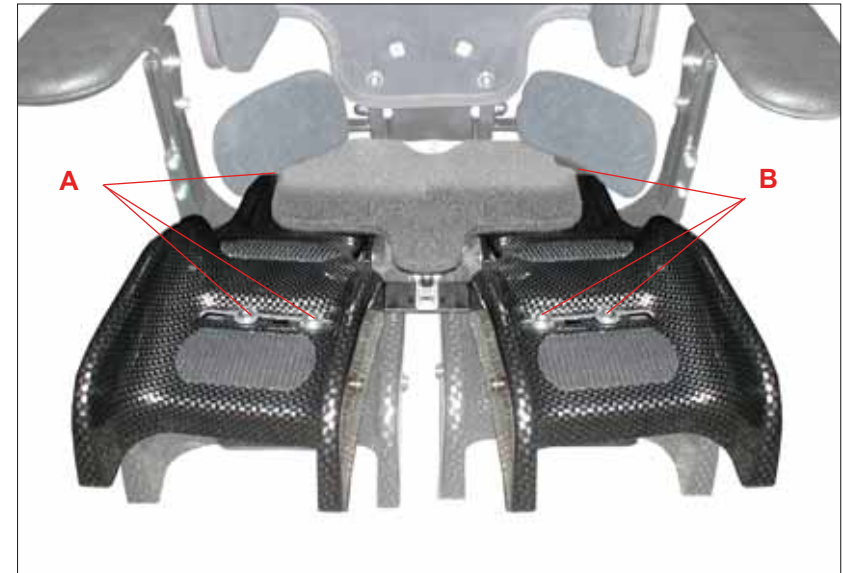


Important: Always fix the screws afterwards!

3:1) Adjusting the abduction

The abduction of the legs can be adjusted by loosening the screws enough to be able to adjust the plastic parts by hand.

- Adjust to desired position.
- Tighten the screws (A) & (B).
- Put the lining back.



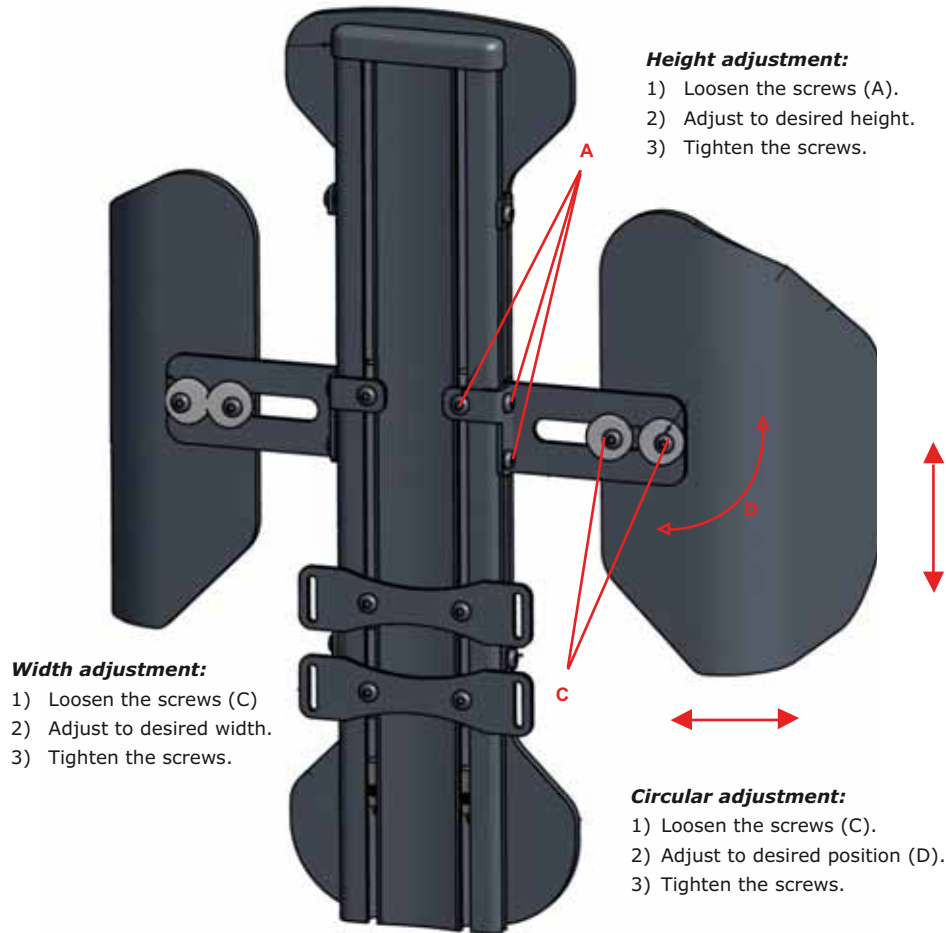
3:2) Adjusting to coxite mode

The seating part can by simple methods be adjusted to "coxite mode". To do this you need a "coxite kit". The difference is up to 20 mm.



4:1) Adjustable back

Zitzi Sharky can be equipped with an adjustable back that gives you more support and positioning possibilities than the standard back.



4:2) Lumbar support

- 1) Take away the lining
- 2) Attach the lumbar support against the plastic
- 3) Put back the lining

To fill the lumbar support with air, press the pump repeatedly. To empty the lumbar support, press the valve placed at the pump.



13:1) Mounting / Adjusting, Strap for legs

Mounting:

- Mount the strap in the tin (frame). See picture.

Adjustment:

- Adjust the strap with the velcro.



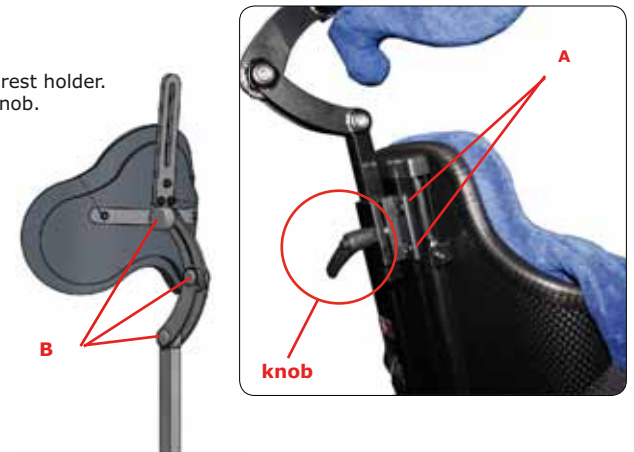
13:2) Mounting/adjustment, std. headrest

Mounting:

- Mount the holder on the profile. Tighten the screws, 4 pcs. (A)
- Attach the headrest on the headrest holder. Adjust the height by using the knob.

Height adjustment:

- Loosen the screws as shown in (B) enough to be able to adjust the headrest by hand.



12:1) Mounting / adjustment, armrest

Mounting:

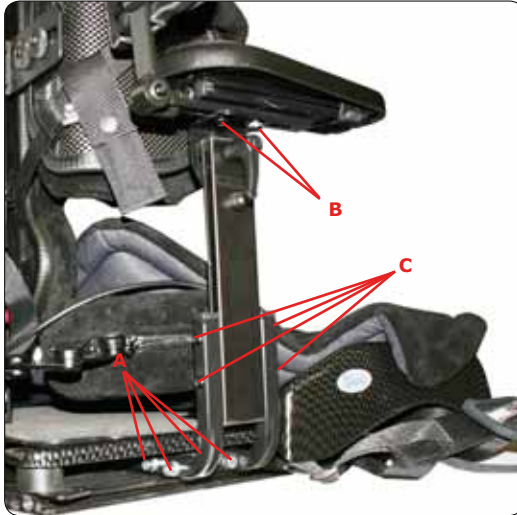
- Push the armrest into the holder.
- Tighten the screws (A).

Depth adjustment:

- Loosen the screws (B)
- Adjust to desired depth.
- Tighten the screws.

Height adjustment:

- Loosen the screws (C).
- Adjust to desired height.
- Tighten the screws.



12:2) Mounting / adjustment, upper arm support

- Loosen the screw completely (A).
- Push the lower part of the upper arm support into the slot.
- Tighten the screws (A).

Angle adjustment of the upper arm support:

- Loosen the screws (B).
- Adjust to desired position.
- Lock the screws.



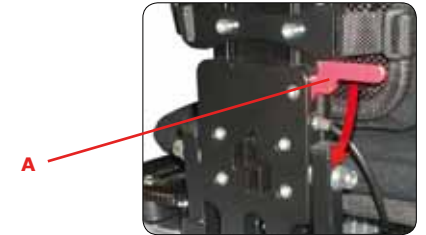
5:1) Width adjustment of the backrest

If needed the wedges, placed between the plastic and the cushions, can be removed.



5:2) Angle adjustment of the backrest

- Push the control handle down.
- Adjust the back to the desired angle.
- Release the control handle.



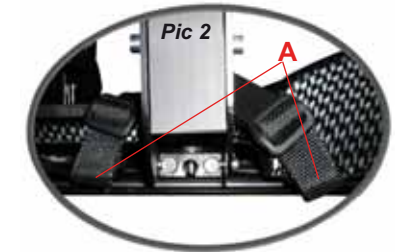
5:3) Mounting / adjustment, hip belt

Mounting:

- Mount the holding straps in respective buckle (two on each side). See fig.1.
- Slip the straps through the buckle and the Tri-glide-buckle. See fig. 1.

Adjustment:

- Adjust the belt so that the direction of the straps are as shown at fig. 2.
- Pull the strap on each side of the buckle to get it in the middle. See fig. 3.
- Adjust the cushions so that they give optimal pressure relief
- If a strap is too long, cut it and burn the end so it will not unravel itself.



5:4) Heating package

- Seating plate
- Back plate
- Battery and hand control

The heating package will be sewed in when fabricating the lining, and will replace the std. lining.

The heating package keeps the body temperature on an even level and prevent the patient to be cold. When normal body temperature has been reached, the heating package will turn off it self. If the temperature dips, the heating package will automatically activate it self again.

6:1) Mounting / adjustment, footrest, fixed and divided

Follow this instruction when it is separated and one-piece footrest.

Mounting:

- Remove the plastic cover on the profile.
- Mount the footplate strut in the holder.
- Tighten the screws.
- Put the plastic cover back.

Angle adjustment by the knee joint (A):

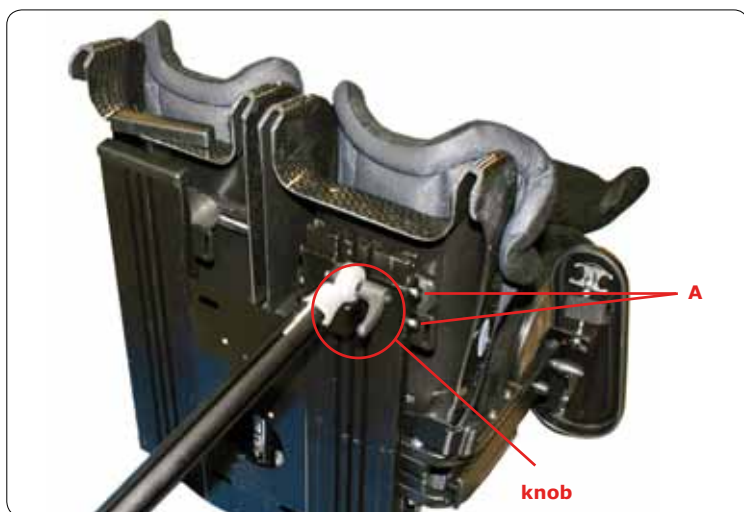
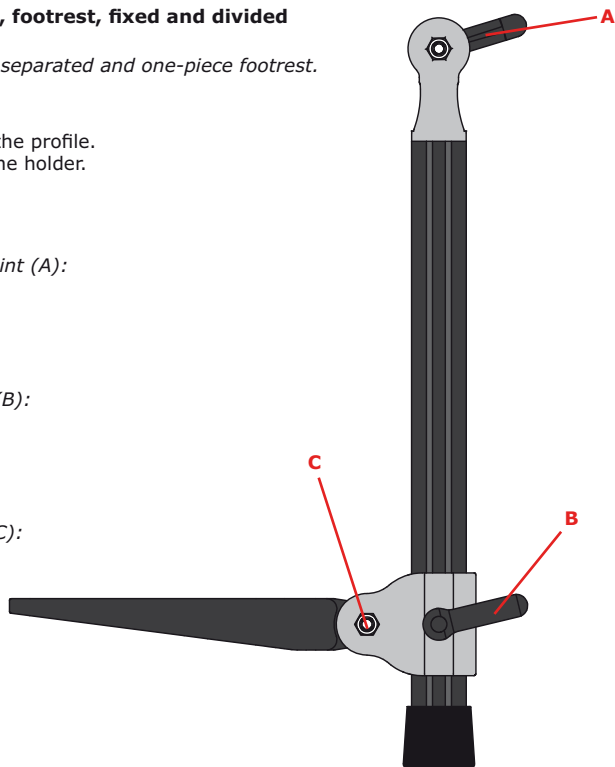
- 1) Loosen the knob
- 2) Adjust
- 3) Tighten

Height adjustment of foot plate (B):

- 1) Loosen the knob
- 2) Adjust
- 3) Tighten

Angle adjustment by foot joint (C):

- 1) Loosen the screws
- 2) Adjust
- 3) Tighten



11:1) Mounting / adjustment, support series

Mounting:

- Remove possible holder for headrest.
- Push down the support holders.
- Lock the screws on both sides.
- Mount the Sternumsupport upper mounting points of the openable buckle.
- Mount the upper straps of the Sternum support through the loops of the support holders and lock them in the openable buckle.

Mount the lower straps of the Sternum support to the back profile by threading them through the loops of the support holder and lock them with the triglide buckle. The pull direction should be obliquely backward / downward.

- Put possible holder for headrest back on.

Adjustment:

- Loosen the screws (B).

The drawing direction of the upper attachment should be at the same level as the shoulders to prevent them from being pressed down.



Adjust the height and the pressure in the four mountingpoints of the Sternum-plate. Make sure there is enough free space for the neck.

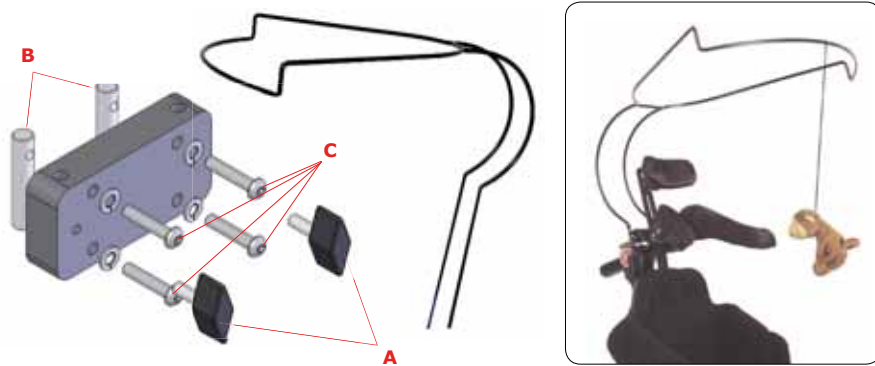
- Follow-ups**
- Make sure that there is enough space for the neck.
 - Strap pressure.
 - The belt cushions placement.

10:1) Play bow

The play bow bracket should be mounted on the back profile.

- Exchange the existing end caps at the top of the profile behind the backrest to the endcaps that follows the play bow. (These are drilled for easy mounting).
- Push the play bow down into the profile behind the backrest.
- Lock the play bow's bracket in the back profile (C).
- Push the play bow down and lock it by using the finger knob (A).

If you are mounting a headrest, the holder for this should be attached together with this bracket. Use the longer screws (B) and a spring washer!



10:2 Mounting, table

- Place the table on the armrest plates.
- Turn the mounting rod beneath the armrest plate as shown at fig. A. Turn the mounting rod until it is placed inside the raised knob beneath the armrest plate.



7:1) Mounting / adjustment, footrest, turn-up

Follow this instruction when it is separated and one-piece footrest.

Mounting:

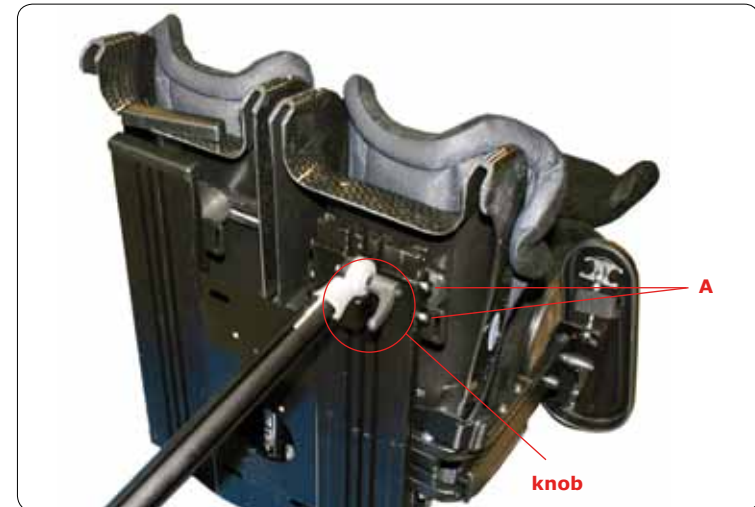
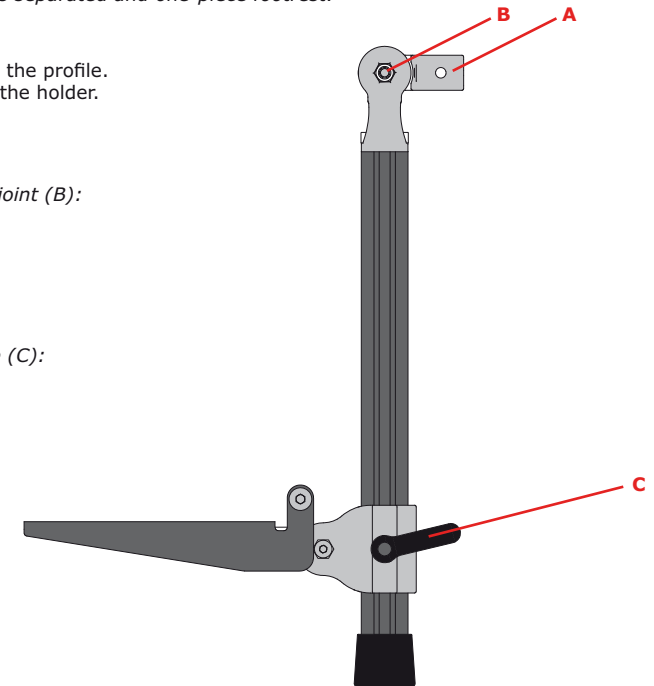
- Remove the plastic cover on the profile.
- Mount the footplate strut in the holder.
- Tighten the screws (A).
- Put the plastic cover back.

Angle adjustment by the knee joint (B):

- 1) Loosen the knob
- 2) Adjust
- 3) Tighten

Height adjustment of foot plate (C):

- 1) Loosen the knob
- 2) Adjust
- 3) Tighten



9:1) Mounting / adjusting flexible foot support

Flexible foot support

Zitzi Sharky can be equipped with a flexible foot support, to break eventual spasticity and create more dynamicity.

Mounting the foot support

Loose the end part and push the foot support onto the profile.

Flexibility (C)

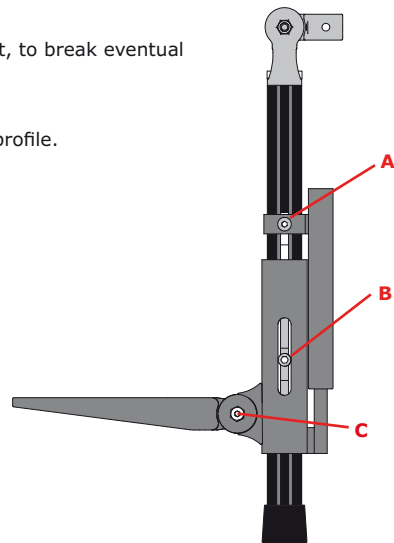
The screw in position (B) should always be in its lowest position to be fully flexible.

Height adjustment

Loosen the screws (A) and (B).

Angle adjustment

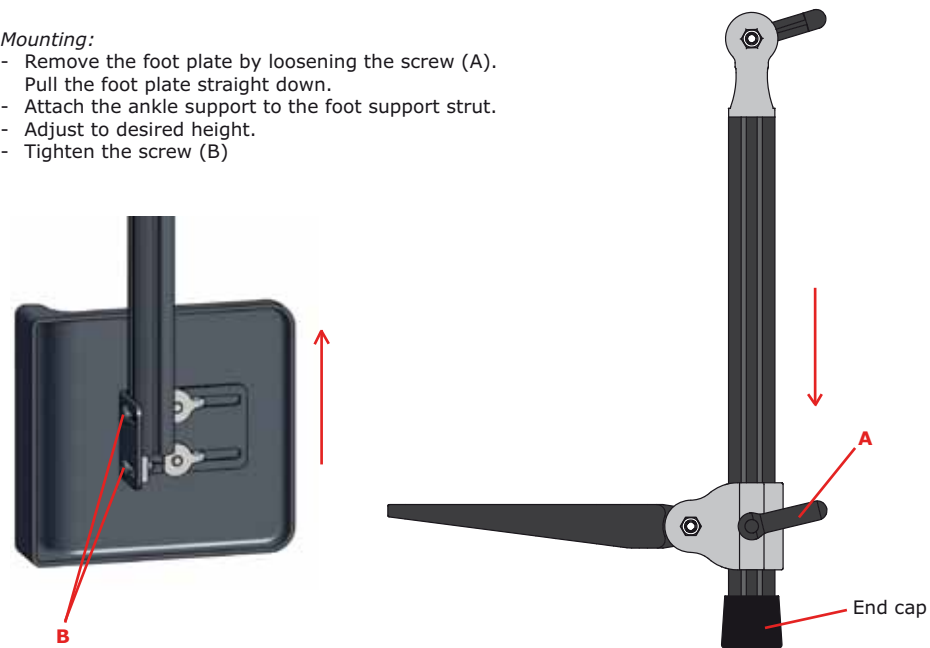
Loosen the screw in position (C) and adjust the foot support to desired angle.



9:1) Calf support

Mounting:

- Remove the foot plate by loosening the screw (A).
- Pull the foot plate straight down.
- Attach the ankle support to the foot support strut.
- Adjust to desired height.
- Tighten the screw (B)



9:2) Ball joint adapter

Height adjustment of the foot plate:

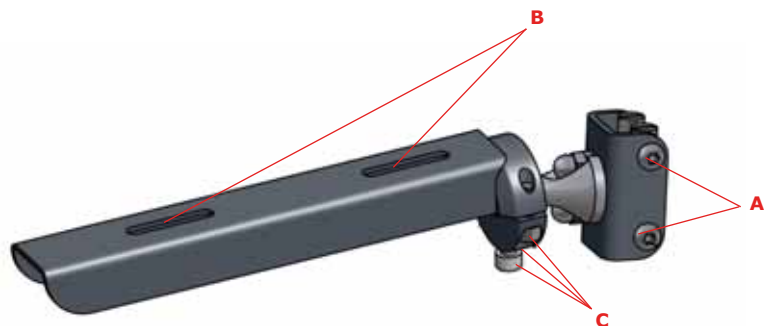
- Loosen the screws as shown in fig. 2 pos A.
- Adjust to desired height.
- Tighten the screws.

Adjustment of the foot plate (B):

- Loosen the screws as shown in fig. 2 pos B.
- Adjust to desired height.
- Tighten the screws.

Adjustment (C):

- Loosen the screws. See pos. C.
- Adjust to desired position.
- Lock the screws.



8:2) Mounting / adjustment, pelvis support

1. Unscrew the long screw and pull it out.
2. Remove the thick washers (A) – the Pelvis Support (C) will take their place.
3. The washers (B) should be assembled outside the Pelvis Support (C).
4. Reassemble the screw.

